



FEATURES

- Self Cleaning Contacts.
- Custom Colors and Printing available upon request.
- Heavy-duty switching.
- Light, yet positive detent action virtually tease-proof
- Easy self-locking panel mount no mounting hardware required.
- Optional clear boot fits all 1U Series switches
- Fully enclosed active switching elements.



*Switches marked **U** are acceptable for use as power switches provided there is a plug disconnect or a switch with open contact gaps of 3 mm minimum.

MOUNTING

No hardware or tools needed; self locks into proper panel cutout .550" (13.97 mm) x 1.125" (28.58 mm).

Acceptable panel thickness range is from .025" (.64 mm) to .180" (4.57 mm).



CAUTION! Burr direction must be away from the direction of insertion.

TERMINATION

Standard is solderless .250" (6.35 mm) wide x .032" (.81 mm) thick.

ELECTRICAL RATING

AMPS	VOLTAGE
16 A	125 VAC
12 A	250 VAC
3/4 HP	125-250 VAC
10 A	14 V (T)

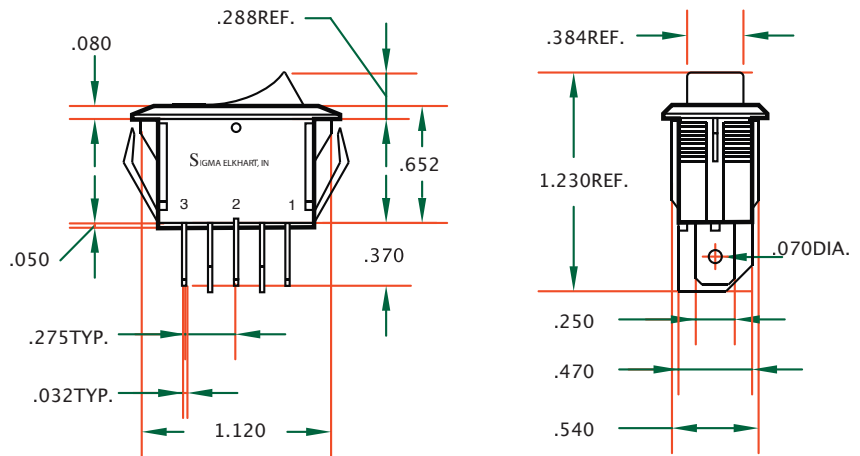
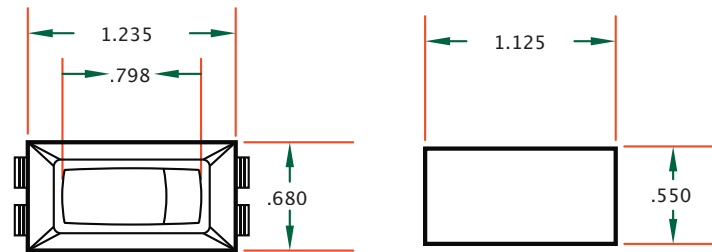
APPROVALS

UL, CSA, VDE, RoHS compliant

SWITCH SELECTION CHART

Part No.	Circuit	Special Markings	Black	White	Red	Blue	Green	Amber	Brown	Ivory
C1-26-U	SPDT on/on		●							
C1-26-U-289S	SPDT on/on	"HI LOW" PRINT	●							
C1-41-U	SPDT on/on			○						
C1-53-U	SPDT on/on								●	
C1-86-U	SPDT on/on									○

1U SERIES (C1-26-U Shown for reference purposes)



SIGMA
SWITCHES PLUS
4703 Wyland Dr.
Elkhart, IN 46516
Tel: 574-294-5776
Fax: 574-294-8744

www.sigmaswitches.com

OUR COMMITMENT TO YOU

We are constantly adding to and improving our selection of Rocker, Toggle, Push Button and other types of switches. If you don't find it here, or on the pages of our website, feel free to contact us for the most current information. If you need a specially designed custom switch, we can discuss your custom design requirements as well. We look forward to helping you with your next switch purchase.