



## FEATURES

- Self Cleaning Contacts.
- Custom Colors and Printing available upon request.
- Optional Insulation Barriers
- Optional clear boot fits all 1N Series Switches



\*Switches marked **U** are acceptable for use as power switches provided there is a plug disconnect or a switch with open contact gaps of 3 mm minimum.

## MOUNTING

No hardware or tools needed; self locks into proper panel cutout .480" (12.19 mm) x 1.072" (27.23 mm).

Acceptable panel thickness range is from .025" (.64 mm) to .180" (4.57 mm).



CAUTION! Burr direction must be away from the direction of insertion.

## TERMINATION

Standard is solderless .250" (6.35 mm) wide x .032" (.81 mm) thick.

## ELECTRICAL RATING

AMPS	VOLTAGE
16 A	125 VAC
12 A	250 VAC
3/4 HP	125-250 VAC
10 A	14 V (T)

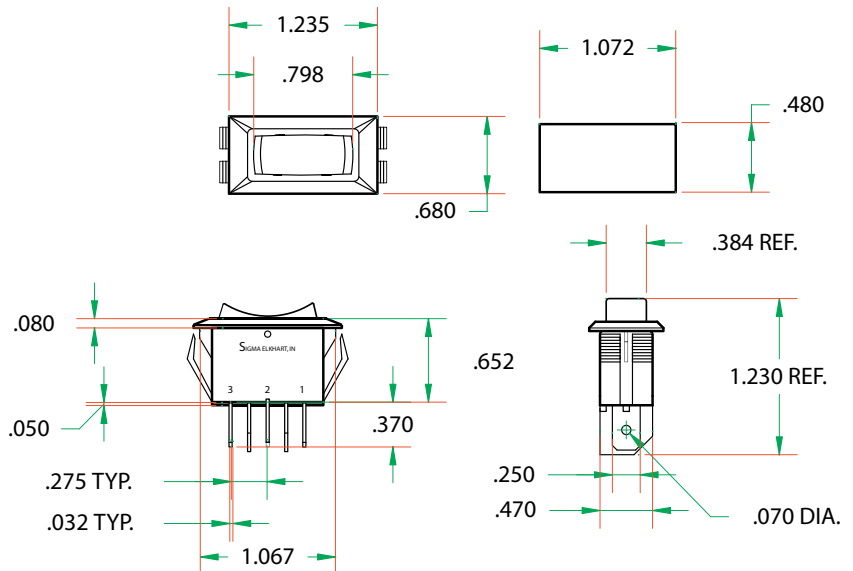
## APPROVALS

UL, CSA, VDE, RoHS compliant

## SWITCH SELECTION CHART

Part No.	Circuit	Special Markings	Black	White	Red	Blue	Green	Amber	Brown	Ivory
D1-27-N	SPDT on/off/on		●							
D1-27-N-520S	SPDT on/off/on	"- 0 -" Print	●							

## 1N SERIES (D1-27-N Shown as reference)



**SIGMA  
SWITCHES PLUS**  
4703 Wyland Dr.  
Elkhart, IN 46516  
Tel: 574-294-5776  
Fax: 574-294-8744

www.sigmaswitches.com

## OUR COMMITMENT TO YOU

We are constantly adding to and improving our selection of Rocker, Toggle, Push Button and other types of switches. If you don't find it here, or on the pages of our website, feel free to contact us for the most current information. If you need a specially designed custom switch, we can discuss your custom design requirements as well. We look forward to helping you with your next switch purchase.