



### FEATURES

- Self Cleaning Contacts.
- Custom Colors and Printing available upon request.
- Heavy-duty switching.
- Light, yet positive detent action virtually tease-proof
- Easy self-locking panel mount no mounting hardware required.
- Optional clear boot fits all 1U Series switches
- Fully enclosed active switching elements.



\*Switches marked **U** are acceptable for use as power switches provided there is a plug disconnect or a switch with open contact gaps of 3 mm minimum.

### MOUNTING

No hardware or tools needed; self locks into proper panel cutout .550" (13.97 mm) x 1.125" (28.58 mm).

Acceptable panel thickness range is from .025" (.64 mm) to .180" (4.57 mm).



CAUTION! Burr direction must be away from the direction of insertion.

### TERMINATION

Standard is solderless .250" (6.35 mm) wide x .032" (.81 mm) thick.

### ELECTRICAL RATING

AMPS	VOLTAGE
16 A	125 VAC
12 A	250 VAC
3/4 HP	125-250 VAC
10 A or 5A	14 V (T)

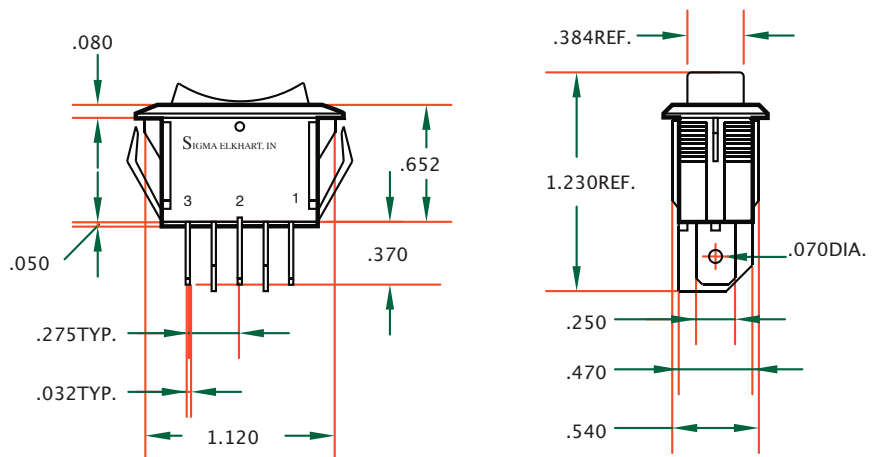
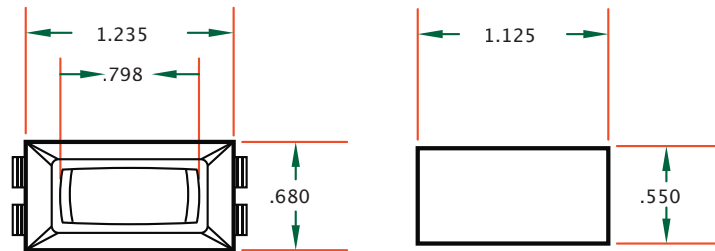
### APPROVALS

UL, CSA, RoHS compliant

### SWITCH SELECTION CHART

Part No.	Circuit	Special Markings	Black	White	Red	Blue	Green	Amber	Brown	Ivory
D1-27-U	SPDT on/off/on		●							
D1-27-U-146S	SPDT on/off/on	"HI OFF LOW" PRINT	●							
D1-27-U-321S	SPDT on/off/on	"AUTO OFF ON" PRINT	●							
D1-27-U-520S	SPDT on/off/on	"- 0 -" PRINT	●							
D1-27-U-524S	SPDT on/off/on	"ON OFF ON" PRINT	●							
D1-27-U-695W	SPDT on/off/on	"ON OFF CLEAN" PRINT	●							
D1-55-U	SPDT on/off/on								●	
D1-58-U	SPDT on/off/on			○						
D1-58-U-695B	SPDT on/off/on	"ON OFF CLEAN" PRINT		○						
D1-58-U-146G	SPDT on/off/on	"HI OFF LOW" PRINT		○						

### 1U SERIES (D1-27-U Shown for reference purposes)



**SIGMA**  
SWITCHES PLUS  
4703 Wyland Dr.  
Elkhart, IN 46516  
Tel: 574-294-5776  
Fax: 574-294-8744

www.sigmaswitches.com

### OUR COMMITMENT TO YOU

We are constantly adding to and improving our selection of Rocker, Toggle, Push Button and other types of switches. If you don't find it here, or on the pages of our website, feel free to contact us for the most current information. If you need a specially designed custom switch, we can discuss your custom design requirements as well. We look forward to helping you with your next switch purchase.