



FEATURES

- Custom Colors available upon request.

MOUNTING

No hardware or tools needed; self locks into proper panel cutout .525" (13.33 mm) x 1.125" (28.58 mm).

Acceptable panel thickness range is from .025" (.64 mm) to .180" (4.57 mm).

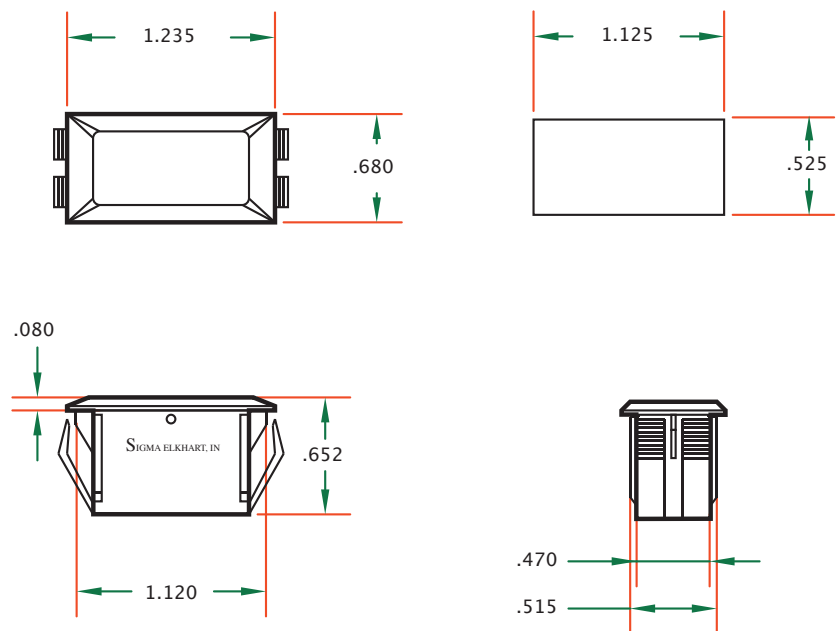


CAUTION! Burr direction must be away from the direction of insertion.

SWITCH SELECTION CHART

Part No.	Description	Size	Black	White	Red	Blue	Green	Amber	Brown	Ivory
UC-01	Switch Blank / Hole Filler	.525" x 1.125"		○						
UC-15	Switch Blank / Hole Filler	.525" x 1.125"	●							

1C SERIES (UC-01 Shown for reference purposes)



SIGMA
SWITCHES PLUS
4703 Wyland Dr.
Elkhart, IN 46516
Tel: 574-294-5776
Fax: 574-294-8744

www.sigmaswitches.com

OUR COMMITMENT TO YOU

We are constantly adding to and improving our selection of Rocker, Toggle, Push Button and other types of switches. If you don't find it here, or on the pages of our website, feel free to contact us for the most current information. If you need a specially designed custom switch, we can discuss your custom design requirements as well. We look forward to helping you with your next switch purchase.