



### FEATURES

- Custom Colors and Printing available upon request.
- Bright Incandescent Bulb.

### MOUNTING

No hardware or tools needed; self locks into proper panel cutout .480" (12.19 mm) x 1.072" (27.23 mm).

Acceptable panel thickness range is from .025" (.64 mm) to .180" (4.57 mm).



CAUTION! Burr direction must be away from the direction of insertion.

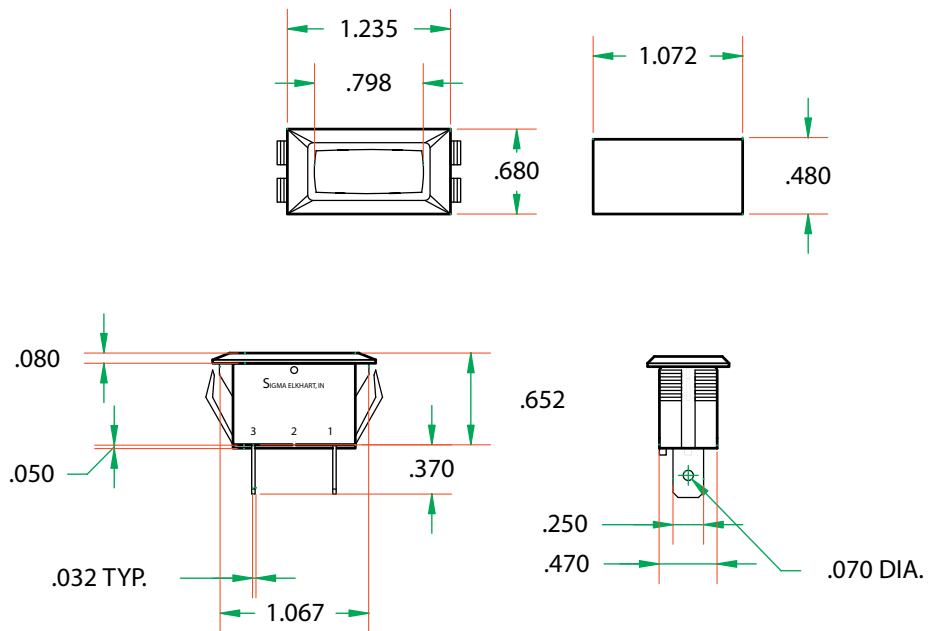
### TERMINATION

Standard is solderless .250" (6.35 mm) wide x .032" (.81 mm) thick.

### SWITCH SELECTION CHART

Part No.	Description	Voltage	Special Markings	Black	White	Red	Blue	Green	Amber	Brown	Ivory
ZN-03-14	14 VDC Indicator Light	14VDC		●		●					

### 1N SERIES (ZN-03-14 Shown as reference)



**SIGMA  
SWITCHES PLUS**  
4703 Wyland Dr.  
Elkhart, IN 46516  
Tel: 574-294-5776  
Fax: 574-294-8744

[www.sigmaswitches.com](http://www.sigmaswitches.com)

### OUR COMMITMENT TO YOU

We are constantly adding to and improving our selection of Rocker, Toggle, Push Button and other types of switches. If you don't find it here, or on the pages of our website, feel free to contact us for the most current information. If you need a specially designed custom switch, we can discuss your custom design requirements as well. We look forward to helping you with your next switch purchase.