



SIGMA
SWITCHES PLUS

1N SERIES

HEAVY DUTY ROCKER SWITCHES

FEATURES

- Self cleaning contacts
- Custom colors & printing available upon request
- Heavy-duty switching
- Light, yet positive detent action virtually tease-proof.
- Easy self-locking panel mount hardware required
- Optional clear boot fits al 1 Series switches
- Fully enclosed active switching elements
- Bright neon or LED clearly indicates ON position

SWITCH SELECTION CHART

Part No.	Circuit	Illuminated Voltage	Special Markings	BLK	WHT	RED	BLU	GRN	AMB	BRN	IVY
1B-18-N	SPST on/off		"ON OFF" "I O" "- O"	○							
1C-26-N	SPDT on/on			○							
1D-27-N	SPDT on/off/on		"- O -" "I O II"	○							
1G-11-N	SPST (on)off			○							
1L-11-N	SPST on(off)			○							
1Q-26-N	SPDT (on)on			○							
1U-15-N	Switch Blank/Filler			○							
1Z-02-N	14V Indicator Light	14V LED		○			○				
1Z-03-N	14V Indicator Light	14V LED		○		○					
1Z-04-N	14V Indicator Light	14V LED		○					○		
1Z-05-N	14V Indicator Light	14V LED		○				○			

MOUNTING

No hardware or tools needed. Self locks into proper panel cutout .480" (12.19 mm) x 1.072" (27.23 mm).

Acceptable panel thickness range is from .025" (.64 mm) to .180" (4.57 mm).



CAUTION! Burr direction must be away from the direction of insertion

TERMINATION

Standard is solderless .250" (6.35 mm) wide x .032" (.81 mm) thick.

ELECTRICAL RATING

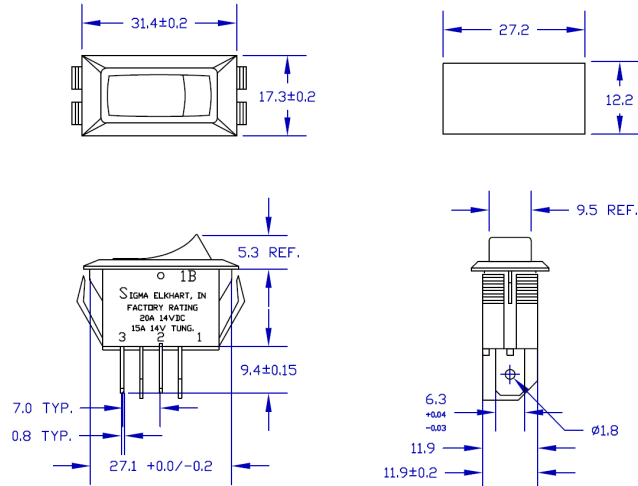
AMPS	VOLTAGE
15 A	14V Tung.
20 A	14VDC

APPROVALS

RoHS compliant

1N SERIES DRAWING (1B-18-N SHOWN FOR REFERENCE PURPOSE ONLY)

NOTE: CUTOUT SIZE IS FOR REFERENCE ON AND MAY VARY DEPENDING ON THE THICK OF THE MATERIAL USED.



SIGMA
SWITCHES PLUS

4703 Wyland Dr.
Elkhart, IN 46516

Ph: 574-294-5776

Fax: 574-294-8744

www.sigmaswitches.com

OUR COMMITMENT TO YOU

We are constantly adding-to and improving our selection of Rocker, Toggle, Push Button and other types of switches. If you do not find what you need here, or on other pages of our web site, please do not hesitate to contact us. If your need is custom, we would like to discuss your unique design requirements as well.

Thank you for giving us the opportunity to fulfill Your switching needs!