



SIGMA
SWITCHES PLUS

260 SERIES

HEAVY DUTY ROCKER SWITCHES

FEATURES

- Designed to meet or exceed IP66
- Choice of colors, markings and illumination
- Crisp detent action

MOUNTING

Material	X	Y
.75 -1.25	36.6 + 0.1	21.2 + 0.1
1.25 -2.00	36.8 + 0.1	21.2 + 0.1
2.00 - 3.00	37.0 + 0.1	21.2 + 0.1

NOTE: CUTOUT SIZE for REFERENCE ONLY!
Size can vary depending on thickness of material used.

No hardware or tools needed. Self-locks into proper panel cutout .835" (21.2mm) x 1.441 to 1.457" (36.6 to 37.0mm).

Acceptable panel thickness range is from .030" (.75 mm) to .118" (3.00 mm).



CAUTION! Burr direction must be away from the direction of insertion

TERMINATION

Standard is solderless .250" (6.35 mm) wide x .032" (.81 mm) thick.

ELECTRICAL RATING*

*See Individual Data Sheets For Exact Ratings

AMPS	VOLTAGE
20A	125VAC
10A	250VAC
12A	125V 3/4 H.P.
10A	277V 3/4 H.P.
21A	14VDC

APPROVALS

UL, CUL, IP66, RoHS compliant

PART NUMBER DESIGNATION

260

Series 1 Circuit (Hyphen) 2 Button Type 3 Frame Color 3 Button Color 4 Lens 1 Color 4 Lens 2 Color 5 Light Voltage

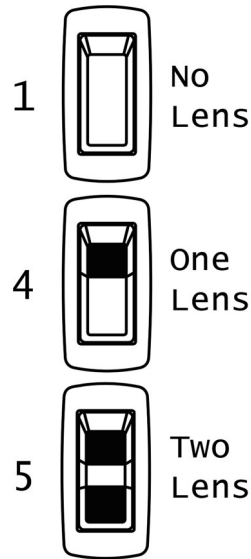
EXAMPLE PART: 260B-4BRWN12 / Broken Down > 260 B — 4 BR WN 12

Break Down: Series (260); Circuit SPST On/Off (B); Hyphen (—); Button Type, One-Illuminated Lens (4); Frame Color, Black with Red Button (BR); First Lens Color, White and Second Lens Color, None (WN); and Lighting Voltage, 12VDC (12).

1. CIRCUIT CODES

- B = SPST on/off
- C = SPDT on/on
- D = SPDT on/off/on
- E = DPDT on/on
- F = SPDT mom-on/off/mom-on
- G = SPST mom-on/off
- H = DPST on/off
- I = DPST mom-on/off
- J = DPDT mom-on/on
- K = DPST on/mom-off
- L = SPST on/mom-off
- N = SPDT mom-on/off/on
- P = DPDT on/off/on
- Q = SPDT mom-on/on
- R = DPDT on/off/mom-on
- S = DPDT mom-on/off/mom-on

2. BUTTON TYPES



3. FRAME COLOR

- B = BLACK
- W = WHITE
- R = RED

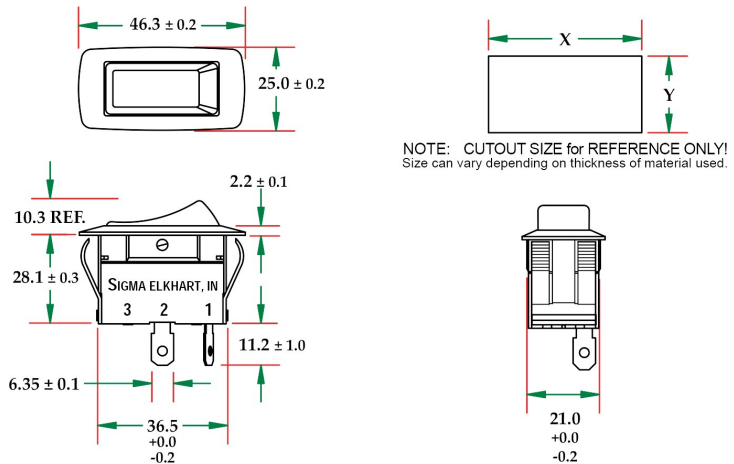
4. LENS COLOR

- | | |
|-----------|-----------|
| A = AMBER | R = RED |
| G = GREEN | W = WHITE |
| U = BLUE | N = NONE |

5. LIGHT VOLTAGE

- N = Non Illuminated
- 12 = 12VDC
- 28 = 28VDC
- 125 = 125VAC
- 250 = 250 VAC

260 SERIES DRAWING (260B-1BBNNN Shown for reference purpose only)



OUR COMMITMENT TO YOU

We are constantly adding-to and improving our selection of Rocker, Toggle, Push Button and other types of switches. If you do not find what you need here, or on other pages of our web site, please do not hesitate to contact us. If your need is custom, we would like to discuss your unique design requirements as well.

Thank you for giving us the opportunity to fulfill Your switching needs!



SIGMA
SWITCHES PLUS

4703 Wyland Dr.
Elkhart, IN 46516
Ph: 574-294-5776
Fax: 574-294-8744

www.sigmaswitches.com